

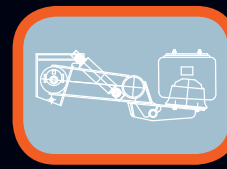
Tare weight from **135kg per module**

- Heavy duty shock absorbers
- Large capacity air springs with built in bump stops
- Easy to align, no welding after alignment
- No 'U' bolts
- Extra strong air spring support
- Available in ride heights from 210mm – 520mm

### LM Xp

TMC LM Xp Series Air Suspension has been designed for heavy duty operating conditions or where extra payload is required. Options available up to 14,000Kg per module. Following in the footsteps of the very successful "LM" family of Air Suspensions the Xp Series Suspension will return profit to the operator with extra payload and lower maintenance costs.

# LM Xp SERIES AIR SUSPENSION

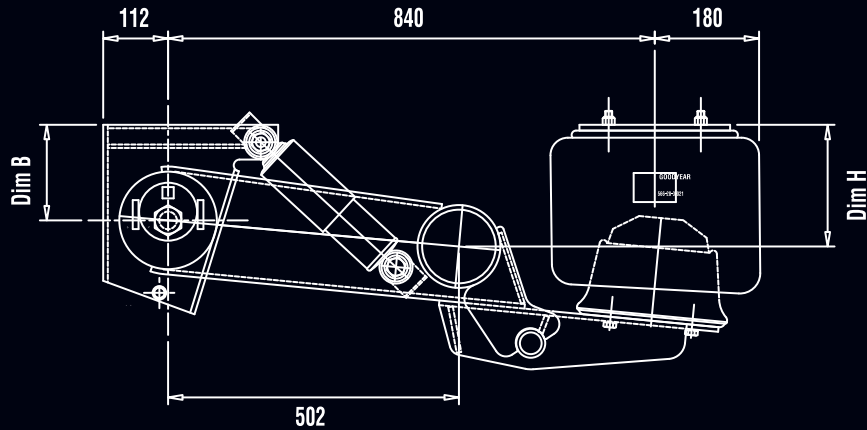


SUSPENSION RIDE HEIGHTS FROM 210MM – 310MM LOW MOUNT SUSPENSION			APPLICATION
MODEL	RIDE HEIGHTS Dim H	Dim B	Drum Brake / Disc Brake
LM664210	210mm	165mm	Yes / Yes
LM664260	260mm	215mm	Yes / Yes
LM664310	310mm	265mm	Yes / Yes
SUSPENSION RIDE HEIGHTS FROM 370mm – 520mm HIGH MOUNT SUSPENSION			
LM664370	370mm	165mm	Yes / Yes
LM664420	420mm	215mm	Yes / Yes
LM664470	470mm	265mm	Yes / Yes
LM664520	520mm	315mm	Yes / Yes

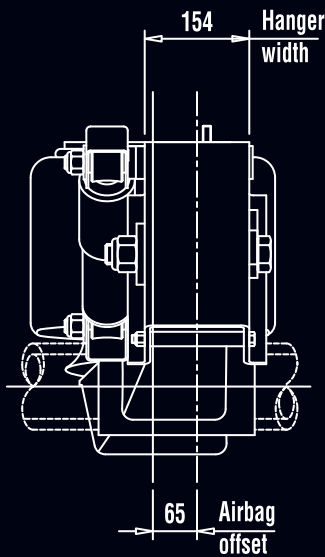
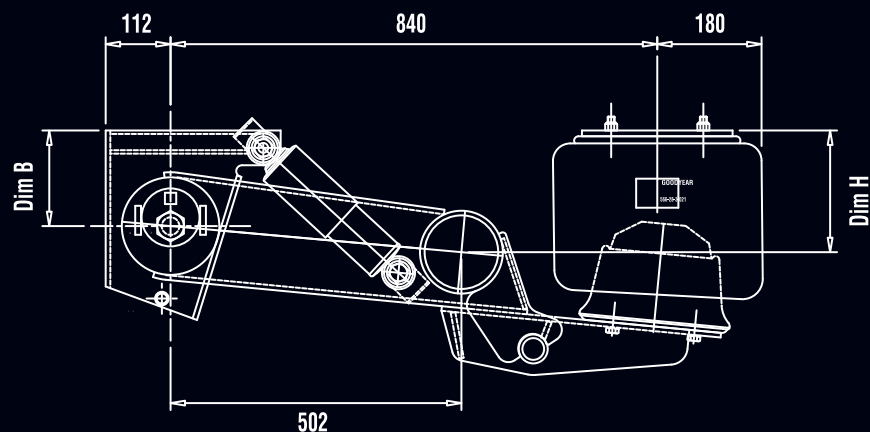
**OPTIONS**

- Axle lift 90mm lift standard
- Centre axle lift
- Full range of pneumatic kits
- Rear cam position on low mount
- Up to 14 tonne capacity

**LOW MOUNT SUSPENSION**



**HIGH MOUNT SUSPENSION**



**LM XP FRONT VIEW**

TMC Australia Pty Ltd  
78 Star Crescent, PO Box 5028, Hallam, Australia 3083. Ph 03 8786 3688 Fax 03 8786 3699 Email: info@tmcaus.com.au  
www.tmc.com.au

TMC Axle Manufacturing Sdn Bhd  
No 79 & 80 Jalan 5/10B, Spring Crest Industrial Park, 68100 Batu Caves, Kuala Lumpur, Malaysia  
Ph + 603 6187 7788 Fax + 603 6187 6722 www.tmc.com.my

A member of The **Trumas** Group

Due to our policy of continuous R&D, we reserve the right to amend specifications without notice or obligation.