



LMVS SERIES

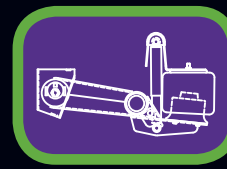
TMC LM✓S Series range of Air Suspensions have been designed for all Australian operating conditions.

TMC LM✓S Series will deliver you increased profits through long life components resulting in lower maintenance costs.

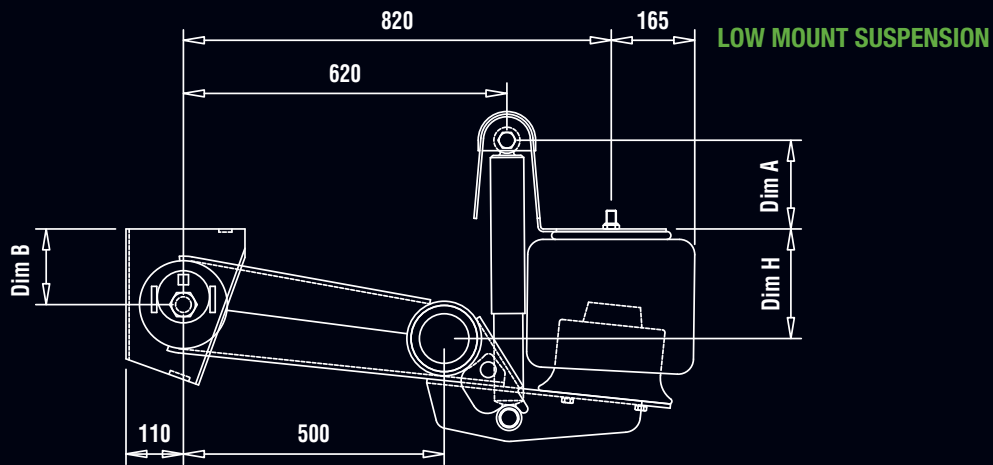
This suspension has the ✓ERSATILITY to accommodate those clients with a preference for vertically mounted shockers.

- Full range of brake and hub options
- Vertical shocker mount system
- Heavy duty shock absorbers
- Easy to align, no welding after alignment
- No 'U' bolts
- Extra strong air spring support
- Available in ride heights from 200mm – 450mm
- Optional ConMet alloy hubs and preset bearings
- Optional ConMet CastLite or centrifused drums

LM✓S SERIES AIR SUSPENSION

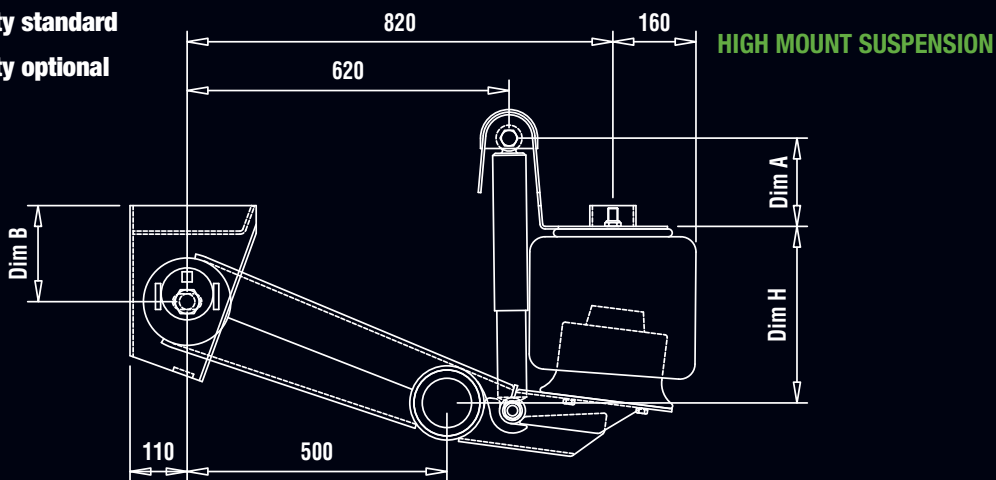


SUSPENSION RIDE HEIGHTS FROM 200mm - 310mm LOW MOUNT SUSPENSION				APPLICATION
MODEL	RIDE HEIGHTS DIM H	DIM A	DIM B	Drum Brake / Disc Brake
LM653200	200mm	170mm	145mm	Yes / Yes
LM653240	240mm	130mm	185mm	Yes / Yes
LM653280	280mm	90mm	225mm	Yes / Yes
LM653310	310mm	60mm	255mm	Yes / Yes
SUSPENSION RIDE HEIGHTS FROM 340mm - 450mm HIGH MOUNT SUSPENSION				
LM653340	340mm	170mm	145mm	Yes / Yes
LM653380	380mm	130mm	185mm	Yes / Yes
LM653420	420mm	90mm	225mm	Yes / Yes
LM653450	450mm	60mm	255mm	Yes / Yes



OPTIONS

- Axle lift 90mm lift standard
- Centre or side lifts available
- Full range of pneumatic kits
- 10 tonne capacity standard
- 12 tonne capacity optional



TMC Australia Pty Ltd
78 Star Crescent, PO Box 5028, Hallam, Australia 3083. Ph 03 8786 3688 Fax 03 8786 3699 Email: info@tmcaus.com.au
www.tmcaustralia.com.au

TMC Axle Manufacturing Sdn Bhd
No 79 & 80 Jalan 5/10B, Spring Crest Industrial Park, 68100 Batu Caves, Kuala Lumpur, Malaysia
Ph + 603 6187 7788 Fax + 603 6187 6722 www.tmc.com.my

A member of The **T**rumas Group

Due to our policy of continuous R&D, we reserve the right to amend specifications without notice or obligation.

LMVS SPECIFICATIONS